

Features

- Rail-to-Rail Input/Output
- Supply Current...7μA (Typ.)
- Supply Voltage Range...3.5V to 16V
- High Wide Bandwidth...160kHz
- High Slew Rate...0.16V/μs
- Ultra-Small Packaging:
SOT-23-5,MSOP-8,TDFN10-3x3
- Green Product (RoHS, Lead-Free,
Halogen-Free Compliant)

Applications

- Portable Medical
- Power Monitoring
- Low Power Security Detection Systems
- Smoke Detector

General Description

The GS5101 single supply operational amplifiers provide rail-to-rail output capability.

The GS5101 takes the minimum operating supply voltage down to 3.5V over the extended industrial temperature range, while adding the rail-to-rail output swing feature.

The GS5101 also provides 160kHz bandwidth from only 7μA. The maximum recommended supply voltage is 16V, which allows the devices to be operated from (±8 V supplies down to ±1.75 V) two rechargeable cells.

Function Block Diagram

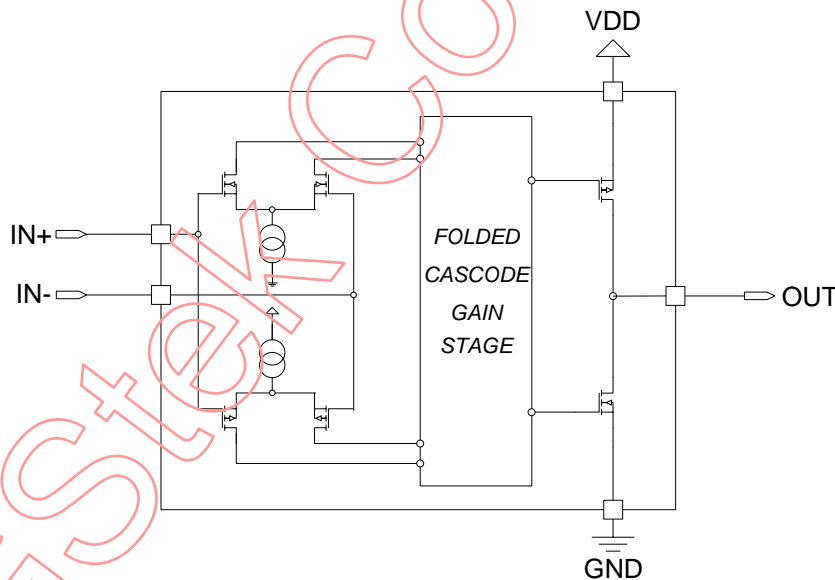


Figure 1 Function Block Diagram

This document is GStek's confidential information. Anyone having confidential obligation to GStek shall keep this document confidential. Any unauthorized disclosure or use beyond authorized purpose will be considered as violation of confidentiality and criminal and civil liability will be asserted.