

**Features**

- Ultra Low Quiescent Current: 11uA (Typ.)
- Wide Operating Voltage: 6~40V
- ±2% Initial Voltage Accuracy
- Fixed Output Voltage: 1.8V ~ 13V or Adjustable Voltage
- Programmable Discharge
- Programmable Soft-Start
- Build-In OTP
- Build-In OCP
- Short Circuit Current Fold-back
- PSOP-8, SOT-23-5, SOT-23-6, SOT-89-3, TDFN6-2x2 package
- Green Product (RoHS, Lead-Free, Halogen-Free Compliant)

**General Description**

The GS7138 is a low quiescent current CMOS linear regulator, which operates with input voltage from 6V to 40V and delivers output current up to 150mA. The linear regulator includes essential features for the applications of portable devices with high voltage batteries, especially for supplying the always-on, keep-alive power circuitries.

**Applications**

- Portable/battery powered equipments
- Electronic sensors
- Microcontroller power
- Real time clock backup power

**Typical Application**

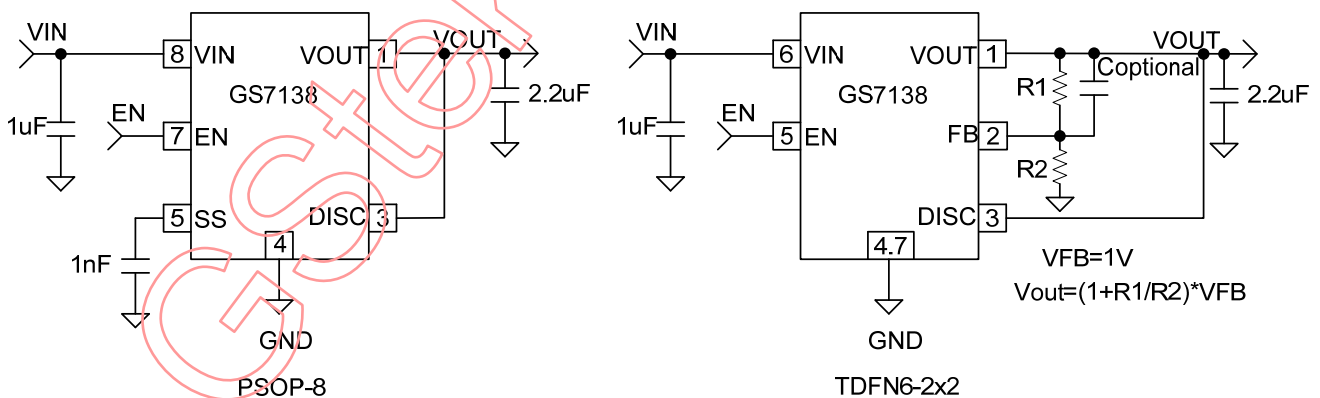


Figure 1 Typical Application of GS7138

*This document is GStek's confidential information. Anyone having confidential obligation to GStek shall keep this document confidential. Any unauthorized disclosure or use beyond authorized purpose will be considered as violation of confidentiality and criminal and civil liability will be asserted.*