

Features

- 1.5V to 5.5V Input Voltage Range
- Integrated NMOSFET $R_{DS(ON)}=100m\Omega$ (typ.)
- 1A Continuous Switch Current
- 300us Typical Rise Time and Fast Turn off
- 30uA Quiescent Supply Current @VIN=1.8V
- Less Than 1uA Shutdown Current
- Less Than 10uA Reverse Leakage Current
- SOT-363 Package
- Green Product (RoHS, Lead-Free, Halogen-Free Compliant)

General Description

The GS7610 Load Switch is a fast turn on Load Switch; the typical rise time is 300us. This device contains a NMOSFET that can operate over an input voltage range of 1.5V to 5.5V. Several Protection features include soft start function to limit inrush current, current limiting and thermal shutdown to prevent catastrophic switch failure caused by increasing power dissipation when continuous heavy loads or short circuit occurs.

Applications

- Notebook and Desktop PCs
- PDAs/Smart phones
- Digital Cameras

Typical Application

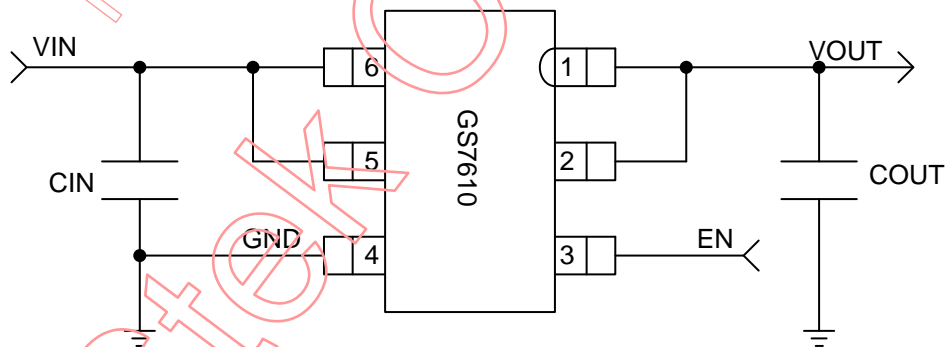


Figure 1 Typical application of GS7610

This document is GStek's confidential information. Anyone having confidential obligation to GStek shall keep this document confidential. Any unauthorized disclosure or use beyond authorized purpose will be considered as violation of confidentiality and criminal and civil liability will be asserted.