

**Features**

- 4.5V to 22V Input Voltage Range
- Integrated NMOSFET  $R_{DS(ON)}=24m\Omega$  (Typ.)
- Programmable Rise Time
- Programmable Current Limit
- Input Over Voltage Protection
- Output Reverse Current Protection
- Flag Indication
- Power Good indication
- TQFN28-5x5 Package
- Green Product (RoHS, Lead-Free, Halogen-Free Compliant)

**General Description**

The GS7633 Power Switch is a high Voltage power Switch. It contains a NMOSFET that can operate over an input voltage range of 4.5V to 22V. Several Protection features include soft start function to limit inrush current, current limiting and thermal shutdown to prevent catastrophic switch failure caused by increasing power dissipation when continuous heavy loads or short circuit occurs.

**Applications**

- Notebook and Desktop PCs
- PDAs/Smart phones
- Digital Cameras

**Typical Application**

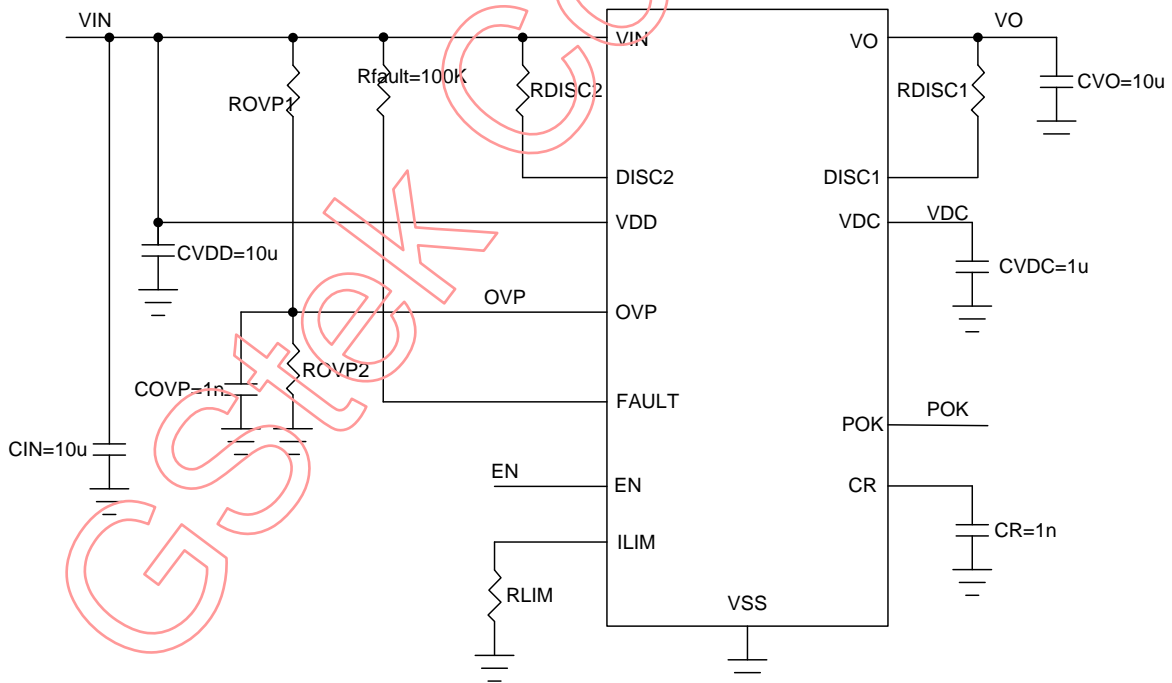


Figure 1 Typical application of GS7633

*This document is GStek's confidential information. Anyone having confidential obligation to GStek shall keep this document confidential. Any unauthorized disclosure or use beyond authorized purpose will be considered as violation of confidentiality and criminal and civil liability will be asserted.*